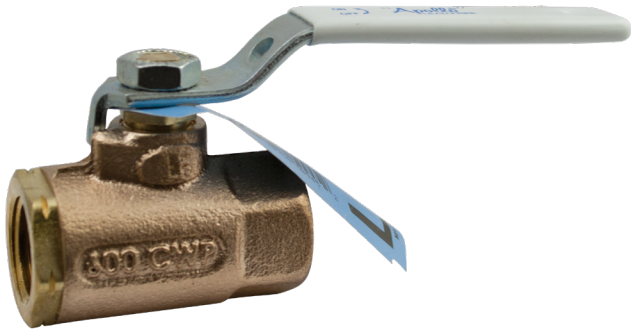


data sheet

70LF-100 series

NPT bronze ball valve | lead free



description

The Apollo® 70LF series two-piece regular port ball valve has the same rugged features as the industry standard 70 Series valves with the added advantage of DZR lead free* materials. The 70LF is ideal for plumbing and heating systems, including potable water. Trusted Apollo® performance with a wide range of popular options.

*lead free: the wetted surfaces of this product shall contain no more than 0.25% lead by weighted average. Complies with Federal Public Law 111-380. ANSI 3rd party approved and listed.

size range

- ¼" - 4"

configurations

- 70LF-100 series - standard
- 70LF-140 series - 316 ss ball & stem

connections

- threaded
- solder joint
- grooved and flared ends

approvals

- MSS SP-110
- NSF/ANSI/CAN 61 - water quality
- NSF/ANSI/CAN 372 - lead free
- CSA B51 CRN:0C10908.5C
- Buy American Act (BAA)
- Build America Buy America (BABA) Act



this specification is provided for reference only. we reserve the right to change any portion of this specification without notice and without incurring obligation to make such changes to Aalberts integrated piping systems products previously or subsequently sold.

Aalberts integrated piping systems

10715 Sikes Place / suite 200 / Charlotte / NC / 28277
aalberts-ips.us

features

- EZ-Solder™ lead free* brass & bronze materials
- distinctive white "lead free" handle grip and blue "lead free" hang tag
- RPTFE seats and stem packing
- chromium plated ball
- 100% factory tested
- manufactured in the USA - BABA and BAA compliant

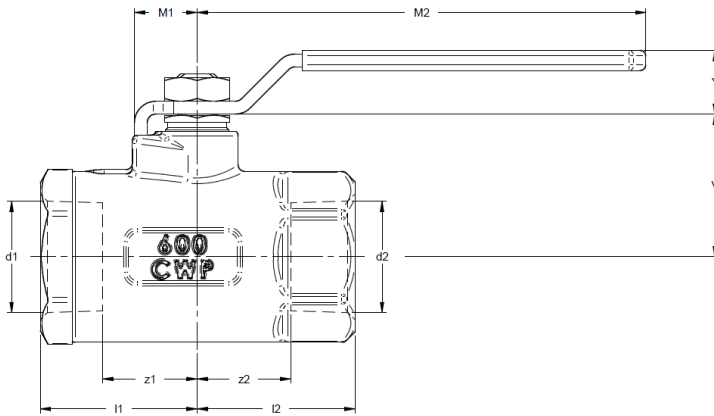
component	material
body	lead free bronze, ASTM B584, C89836
retainer	lead free DZR brass, ASTM B927, C27451 (¼" to 1") lead free bronze, ASTM B584, C89836 (1 ¼" to 4")
ball	lead free DZR brass, ASTM B927, C27451, Cr plated
seat (2)	RPTFE
stem	lead free DZR brass, ASTM B927, C27451 A276-316 stainless steel (3" only)
gland nut	lead free DZR brass, ASTM B927, C27451
stem packing	MPTFE
lever and grip	steel, zinc plated w/ vinyl grip
lever nut	steel, zinc plated
stem bearing	RPTFE

performance rating

CWP	SWP	temperature	vacuum service
600 psig at 100°F	150 psig at 366°F	350°F (maximum temperature)	29 in. Hg

job name	
job location	
engineer	
contractor	
tag	
PO#	
rep	
wholesaler dist	

data sheet



dimensions

part number	size	bore size	d1	d2	l1	l2	z1	z2	M1	M2	V	Y	weight
70LF-102-01	¼"	0.37"	0.54"	0.54"	1.01"	1.01"	0.61"	0.61"	0.55"	3.85"	1.03"	0.65"	0.60 lbs
70LF-102-01	⅜"	0.37"	0.50"	0.50"	1.26"	1.28"	0.90"	0.91"	0.55"	3.85"	1.03"	0.65"	0.56 lbs
70LF-103-01	½"	0.50"	0.63"	0.63"	1.41"	1.42"	0.91"	0.92"	0.55"	3.85"	1.06"	0.65"	0.63 lbs
70LF-104-01	¾"	0.68"	0.88"	0.88"	1.92"	1.93"	1.17"	1.18"	0.67"	4.76"	1.39"	0.68"	1.39 lbs
70LF-105-01	1"	0.87"	1.13"	1.13"	2.24"	2.24"	1.33"	1.34"	0.67"	4.76"	1.51"	0.68"	1.72 lbs
70LF-107-01	1 ½"	1.25"	1.63"	1.63"	2.58"	2.61"	1.49"	1.52"	1.00"	7.75"	2.18"	0.90"	4.61 lbs
70LF-108-01	2"	1.50"	2.13"	2.13"	3.20"	3.13"	1.84"	1.79"	1.00"	7.75"	2.37"	0.90"	6.06 lbs
70LF-109-01	2 ½"	2.00"	2.63"	2.63"	3.72"	3.78"	2.24"	2.30"	1.00"	7.75"	2.80"	0.90"	13.96 lbs
70LF-100-01	3"	2.50"	3.13"	3.13"	4.12"	4.12"	2.45"	2.45"	1.00"	7.75"	3.09"	0.90"	18.60 lbs
70LF-10A-01	4"	3.12"	4.13"	4.13"	5.66"	4.61"	3.50"	2.45"	1.35"	9.91"	3.94"	1.25"	25.50 lbs

options

option	component	size
(-04)	2 ¼" cs stem extension	¼" - 3"
(-07)	steel tee handle	¼" - 2"
(-10)	ss lever & nut	¼" - 3"
(-11)	Therma-Seal™ insulating tee handle	¼" - 2"
(-27)	ss latch-lock lever & nut	¼" - 4"
(-92)	balancing stop	¼" - 3"
(-94)	2 ¼" stem extension & balancing stop	¼" - 3"
(-HC)	hose thread w/ cap & chain	½" - 1"