

data sheet



7K-100 series

safety exhaust valve with 1/4" NPT tap for vent



**description**

The Apollo® 7K series is a full port ball valve with mounting pad and vent for use on pneumatic equipment. Furnished with a 1/4" NPT tapped vent to accommodate a muffler or to pipe the exhausted air to a safe point of discharge.

**size range**

- 1/4" - 2 1/2"

**connections**

- FNPT threads

**configurations**

- 7K-100 series - standard

**approvals**

- MSS SP-110
- CRN: OC10908.5C
- OSHA 29 CFR:1910.147, control of hazardous energy: compliant with (-27) or (-46) locking handle option
- federal specification: WW-V-35C, type: II, composition: BZ, style: 3



*this specification is provided for reference only. we reserve the right to change any portion of this specification without notice and without incurring obligation to make such changes to Aalberts integrated piping systems products previously or subsequently sold.*

**Aalberts integrated piping systems**

10715 Sikes Place / suite 200 / Charlotte / NC / 28277  
aalberts-ips.us

features

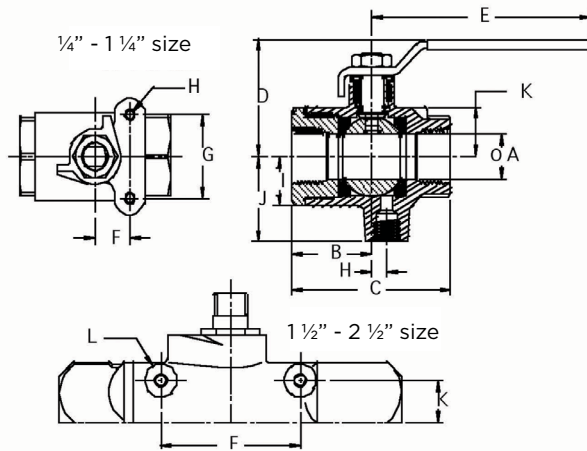
- adjustable packing
- blow-out proof stem design
- RPTFE seats and stuffing box ring
- chromium plated ball
- mounting pad for easy panel or actuator mounting (3/4" - 1 1/4")
- safely vents compressed air from piping downstream of the closed valve
- sizes 1/4" - 2 1/2"
- FNPT threads
- rated 125 psig, suitable application with compressed air only
- temperature range: +50°F to +200°F
- options include a stainless steel latch lock handle that locks in closed position only, specify suffix (-46)
- proudly made in USA

component	material
body	bronze ASTM B584-C84400
body seal (1 1/4" - 2 1/2")	PTFE
retainer	brass ASTM B16 (1/4" to 1") bronze ASTM B584-C84400 (1 1/4" to 2 1/2")
ball	brass ASTM B16, chrome plated
stem	brass ASTM B16
gland nut	brass ASTM B16
seat (2)	RPTFE
stem bearing	RPTFE
stem packing	MPTFE
lever nut	steel, zinc plated
lever and grip	steel, zinc plated w/ vinyl grip

performance rating	
CWP	temperature
125 psig	50°F - 200°F

job name	
job location	
engineer	
contractor	
tag	
PO#	
rep	
wholesaler dist	

data sheet



dimensions

part number	size	a	b	c	d	e	f	g	h
7K-101-01	1/4"	0.43"	1.12"	2.25"	1.81"	3.87"	--	--	--
7K-102-01	3/8"	0.50"	1.12"	2.25"	1.81"	3.87"	--	--	--
7K-103-01	1/2"	0.50"	1.12"	2.25"	1.181"	3.87"	--	--	--
7K-104-01	3/4"	0.81"	1.56"	3.12"	2.12"	4.87"	0.87"	1.37"	10-24 NC
7K-105-01	1"	1.00"	1.81"	3.62"	2.62"	5.50"	0.93"	1.50"	1/4-20 NC
7K-106-01	1-1/4"	1.25"	2.12"	4.25"	2.87"	5.50"	0.93"	1.50"	1/4-20 NC
7K-107-01	1-1/2"	1.50"	2.37"	4.75"	3.34"	8.00"	2.08"	3.06"	5/16-24 NF
7K-108-01	2"	2.00"	2.65"	5.37"	3.71"	8.00"	2.41"	3.52"	5/16-24 NF
7K-109-01	2-1/2"	2.50"	3.25"	6.50"	4.12"	8.00"	2.75"	3.37"	1/4-20 NC

options

option	component	size
(-07)	steel tee handle	1/4" - 1 1/4"
(-27)	ss latch-lock lever & nut	1/4" - 2 1/2"
(-46)	stainless steel latch lock handle that locks closed position only	1/4" - 2 1/2"



# flow characteristics

engineering data

graph 1

