



32-100 SERIES Regular Port Threaded Bronze Ball Valve



Job Name:	Contractor:
Job Location:	P.O. Number:
Engineer:	Representative:
Tag:	Wholesale Distributor:

DESCRIPTION

The Apollo® 32-100 Series is an economy NPT threaded Regular Port Bronze Ball Valve featuring a proven ASTM grade cast bronze body for durability and superior corrosion resistance.

FEATURES

- Adjustable Packing Gland
- Blow-Out Proof Stem Design
- PTFE Seats and RPTFE Stem Packing
- Chromium Plated Ball
- 100% Factory Tested



PERFORMANCE RATING

- Maximum Pressure: 400 psi CWP, 125 psi SWP
- Maximum Temperature: 400°F
- Vacuum Service to 29 in. Hg

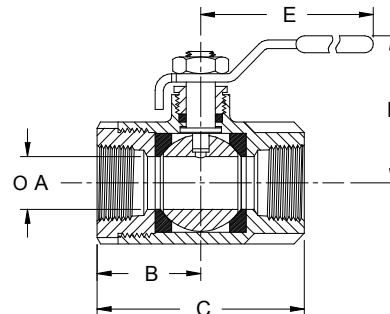
OPTIONS

- (-07) Tee Handle
- (-27) Locking Handle
- (-49) Assembled Dry

STANDARD MATERIALS LIST

Part Name	Material
Lever and Grip	Steel, Zinc Plated w/ Vinyl
Stem Packing	RPTFE
Ball	B16, Chrome Plated
Seat (2)	PTFE
Retainer	B16
Gland Nut	B16
Stem	B16
Lever Screw (1/4" to 1/2")	Steel, Zinc Plated
Lever Nut (3/4" to 2")	Steel, Zinc Plated
Body	B584-C84400

DIMENSIONS



Model Number	Size (in.)	Dimensions				
		A	B	C	D	E
32-101	1/4"	0.37	0.80	1.60	1.65	2.87
32-102	3/8"	0.37	0.80	1.60	1.65	2.87
32-103	1/2"	0.40	1.00	2.00	1.68	2.87
32-104	3/4"	0.65	1.20	2.41	1.90	3.87
32-105	1"	0.75	1.55	3.09	2.18	4.87
32-106	1 1/4"	1.00	1.72	3.44	2.53	5.50
32-107	1 1/2"	1.12	1.93	3.87	2.69	5.50
32-108	2"	1.50	2.17	4.37	2.94	5.50

APPROVALS

- MSS SP-110; Ball Valves Threaded, Socket-Welding, Solder Joint, Grooved and Flared Ends
- CRN: OC10908.5



Conbraco Industries, Inc. 701 Matthews Mint Hill Rd. Matthews NC 28106 USA; www.apollovalves.com ; 704-841-6000

This specification is provided for reference only. Conbraco reserves the right to change any portion of this specification without notice and without incurring obligation to make such changes to Conbraco products previously or subsequently sold.